



COMMERCIAL VEHICLE AUCTIONS LTD
THE UK'S MOST ESTABLISHED COMMERCIAL VEHICLE AUCTIONEERS

Carr Hill Industrial Estate
Doncaster
DN4 8DE

01302 732600 | cva.noreply@cva-auctions.co.uk

VEHICLE INSPECTION REPORT

RE70LBV

Iveco Eurocargo 75-160

Inspection

Serious Damage? No

Vehicle

VAT Plus VAT

V5 To Follow

Details

Reg. date	30/10/2020	VIN	ZCFA875B702702474	Rear Suspension	Steel
Year	2020	Body Style	Box Van	Rear Doors	Roller
Mileage	97,269 Km Warranted	MOT Due	31/08/2026	Tail Lift	Column
Fuel Type	Diesel	Gearbox	AUTOMATIC		
Colour	WHITE	Axle Combi	4x2		

WARNING LIGHTS ON DASH SINGLE HUB REDUCTION.

Tyres

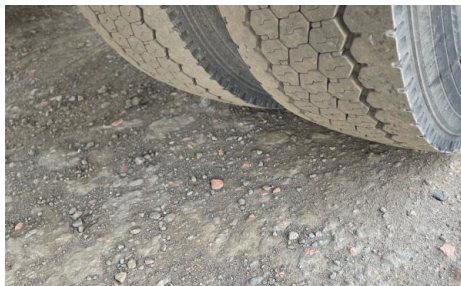
NSF	NSI1	NSI2	NSI3	NSI4
OSF	OSI1	OSI2	OSI3	OSI4
Spare	NSO1	NSO2	NSO3	NSO4
	OSO1	OSO2	OSO3	OSO4

Features

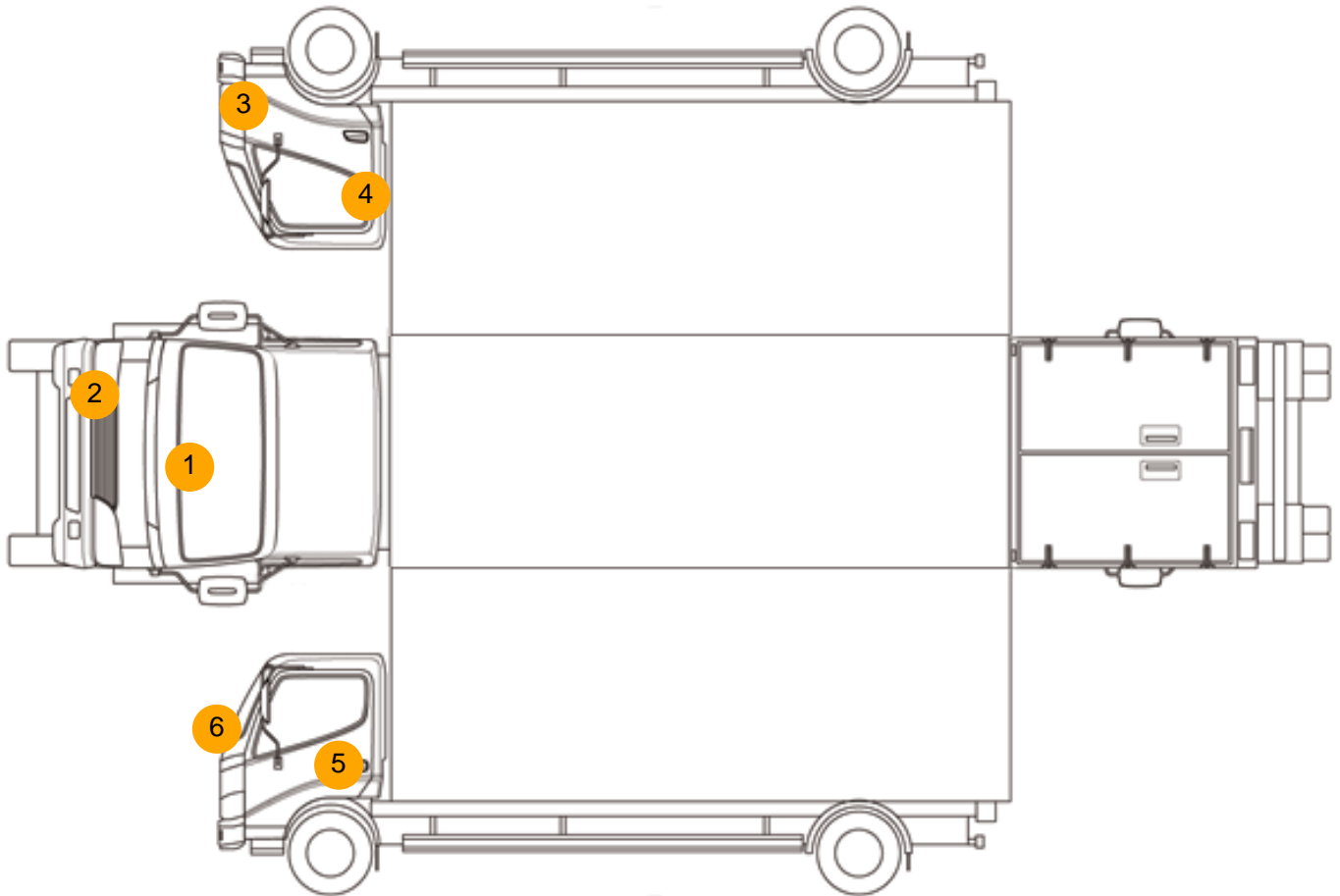
- Radio/CD
- Air conditioning

Photos





Condition Check



Damage Photos



1: Bonnet
Scratched
Up To 25mm Not Thru Paint



2: Bumper Front Moulding
Scuffed (Unpainted)
Over 100mm



3: Wing osf
 Scratched
 Over 25mm Thru Paint

4: Door osf
 Dented
 Over 30mm



5: Door nsf
 Dented
 Over 30mm

6: Wing nsf
 Scratched
 Over 25mm Not Thru Paint

Interior

Carpet Condition	Average	Upholstery Condition	Average
Seat Condition	Average	Odour	-
Engine Runs	OK	Gearbox 1st and Reverse Test	OK
Brakes	OK	Clutch Slip Test from Static	OK
Turbo Boosting	OK	Gearbox Static Gear Selection (engine running)	OK
Parking Brake	OK	No Excessive Smoking	OK
EML light illuminated	OK	Oil warning light illuminated	OK
ABS light illuminated	OK	DPF light illuminated	OK
		Service indicator light illuminated	OK

Windows

OK

Radio

OK

Steering

OK