



COMMERCIAL VEHICLE AUCTIONS LTD
THE UK'S MOST ESTABLISHED COMMERCIAL VEHICLE AUCTIONEERS

Carr Hill Industrial Estate
Doncaster
DN4 8DE

01302 732600 | cva.noreply@cva-auctions.co.uk

VEHICLE INSPECTION REPORT

SV20NXD

Scania R 450

Inspection

Serious Damage? No

Vehicle

VAT Plus VAT

V5 Present

Details

Reg. date	03/03/2020	VIN	YS2R6X20005576775	Cab Type	SLEEPER CAB
Year	2020	Body Style	Tractor Unit	Gearbox	AUTOMATIC
Mileage	213,853 Km Not Warranted	MOT Due	31/05/2027	Axle Combi	6x2
Fuel Type	Diesel	CAP Clean	£35,600.00	Steering Combi	Mid-Lift
GVW	44000kg	CAP Average	£33,700.00	Rear Suspension	Air
Colour	WHITE	CAP Below	£30,300.00		

SLIDING 5TH WHEEL, TWIN LINE PTO HYDRAULICS

Tyres

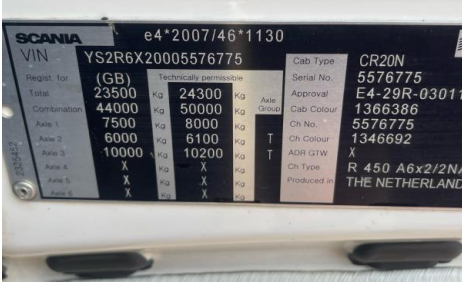
NSF	NSI1	NSI2	NSI3	NSI4
OSF	OSI1	OSI2	OSI3	OSI4
Spare	NSO1	NSO2	NSO3	NSO4
	OSO1	OSO2	OSO3	OSO4

Features

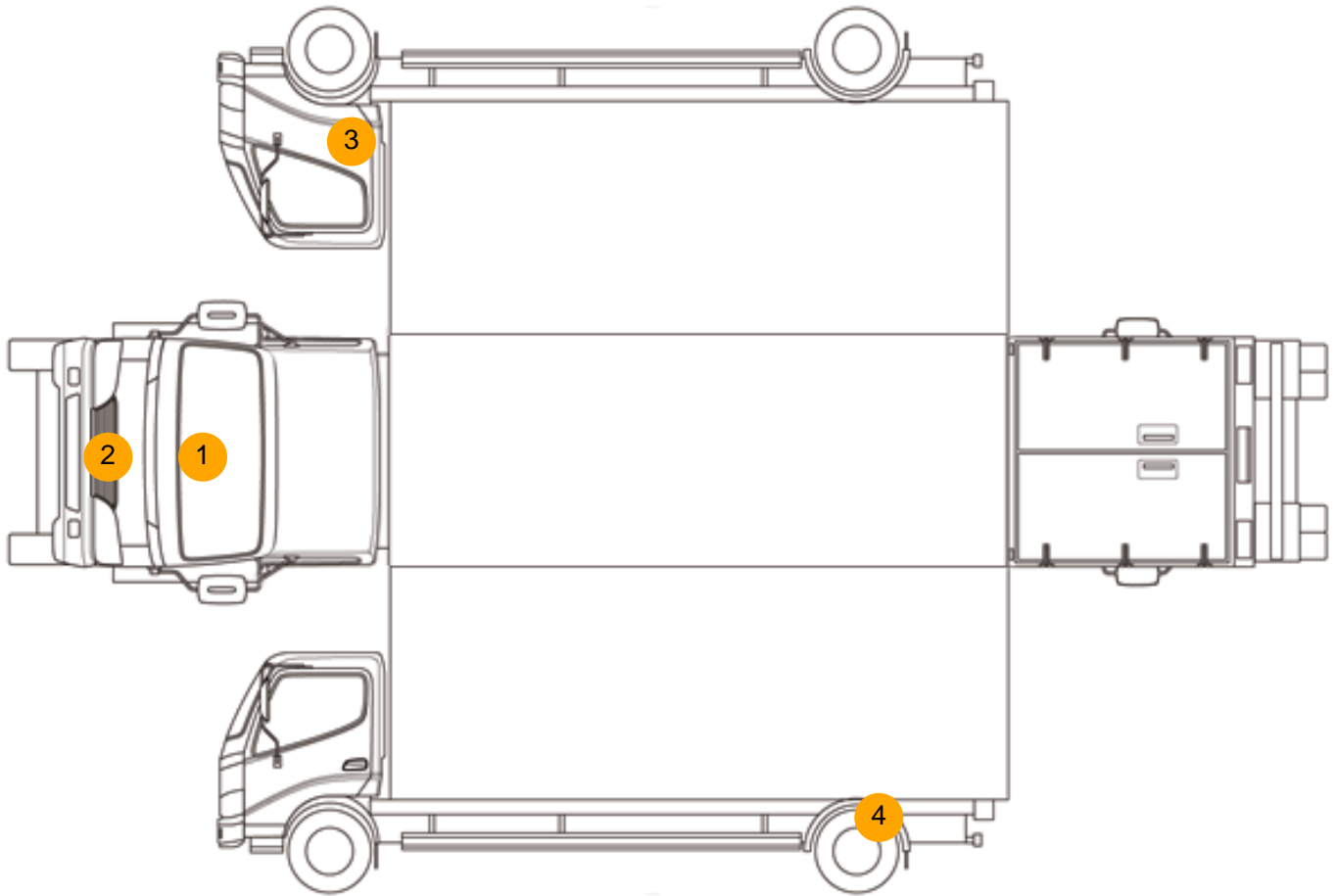
- Radio/CD
- Air conditioning

Photos





Condition Check



Damage Photos



1: Bonnet
Chipped
Multiple Chips

2: Bumper Front
Dented
With Paint Damage



3: Door osf
Dented
Over 30mm

4: Qtr Panel Moulding ns
Scuffed (Unpainted)
Over 100mm

Interior

Carpet Condition	Average	Upholstery Condition	Average
Seat Condition	Average	Odour	-
Engine Runs	OK	Gearbox 1st and Reverse Test	OK
Brakes	OK	Clutch Slip Test from Static	OK
Turbo Boosting	OK	Gearbox Static Gear Selection (engine running)	OK
Parking Brake	OK	No Excessive Smoking	OK
EML light illuminated	OK	Oil warning light illuminated	OK
Airbag light illuminated	OK	DPF light illuminated	OK
ABS light illuminated	OK	Service indicator light illuminated	OK
Windows	OK	Radio	OK
		Steering	OK