



COMMERCIAL VEHICLE AUCTIONS LTD
THE UK'S MOST ESTABLISHED COMMERCIAL VEHICLE AUCTIONEERS

Carr Hill Industrial Estate
Doncaster
DN4 8DE

01302 732600 | cva.noreply@cva-auctions.co.uk

VEHICLE INSPECTION REPORT

BK72DWA

FORD TRANSIT 350 2.0 ECOBLUE 130PS

Inspection

Serious Damage? No

Vehicle

VAT Plus VAT
V5 Present

Details

Reg. date	13/09/2022	VIN	WF0EXXTRENU56627	CAP Below	£9,900.00
Year	2022	Body Style	Panel Van L3	Gearbox	MANUAL
Mileage	26,364 Miles Not Warranted	MOT Due	12/09/2025	Gears	6
Fuel Type	DIESEL	CAP Clean	£12,450.00		
Colour	WHITE	CAP Average	£11,500.00		

AD-BLUE, SIDE LOAD DOOR

Tyres

NSF
NSR
OSF
OSR
Spare

Features

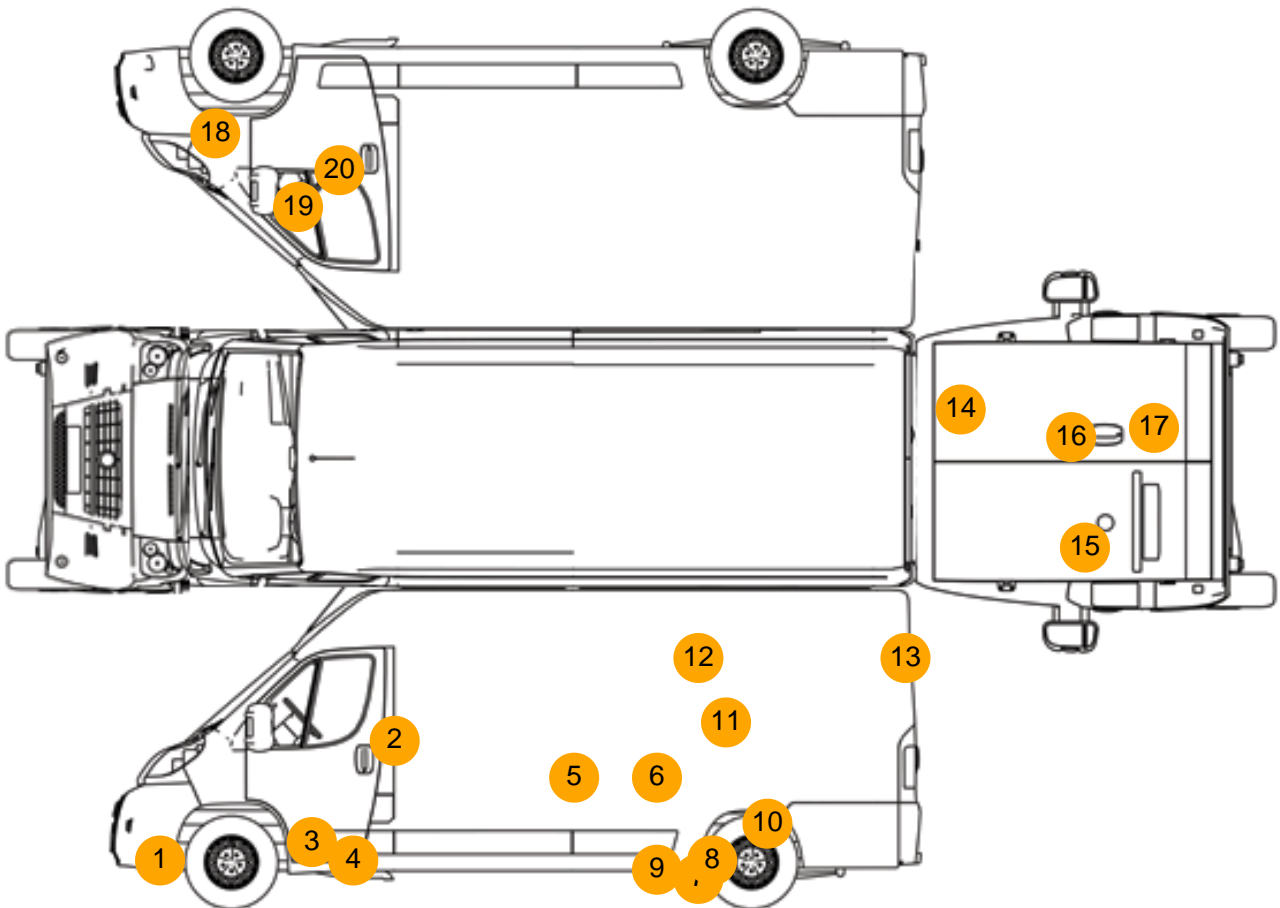
- Bluetooth connection
- Digital radio
- Passenger airbag
- Front parking sensor
- Air conditioning
- Central locking
- Rear parking sensor
- Front electric windows
- Cloth seat trim
- Auxiliary input socket
- Drivers airbag

Photos





Condition Check



Damage Photos



1: Bumper Front
Scratched
Over 100mm Thru Paint



2: Door nsf
Dented
With Paint Damage



3: Door Moulding nsf
Scuffed (Unpainted)
UpTo 100mm



4: Door Moulding nsf
Scuffed (Unpainted)
Over 100mm



5: Qtr Panel nsr
Dented
Over 30mm



6: Qtr Panel nsr
Dented
Over 30mm



7: Qtr Panel nsr
Dented
With Paint Damage



8: Qtr Panel nsr
Dented
With Paint Damage



9: Qtr Panel Moulding ns
Scuffed (Unpainted)
Over 100mm



10: Qtr Panel Moulding ns
Scuffed (Unpainted)
Over 100mm



11: Qtr Panel nsr
Dented
With Paint Damage



12: Qtr Panel nsr
Scratched
Over 25mm Thru Paint



13: C Post ns
Scratched
Over 25mm Thru Paint



14: Roof
Dented
With Paint Damage



15: Door nsr
Dented
Over 30mm



16: Door osr
Dented
With Paint Damage



17: Door osr
Dented
Over 30mm



18: Wing osf
Dented
Over 30mm



19: Door Mirror Assy osf
Broken
Replace



20: Door osf
Dented
With Paint Damage



21: Seat Base Cover nsf
Soiled
Heavy

Interior

Carpet Condition

OK

Upholstery Condition

OK

Seat Condition

Poor

Odour

-

Engine Runs	OK	No Excessive Smoking	OK
EML light illuminated	OK	DPF light illuminated	OK
ABS light illuminated	OK		