



**COMMERCIAL VEHICLE AUCTIONS LTD**  
THE UK'S MOST ESTABLISHED COMMERCIAL VEHICLE AUCTIONEERS

Carr Hill Industrial Estate  
Doncaster  
DN4 8DE

01302 732600 | cva.noreply@cva-auctions.co.uk

# VEHICLE INSPECTION REPORT

**R30KTL**

## Scania R 580 V8

**Non Runner**  
Inspection

Serious Damage?		Vehicle	
No		VAT	Plus VAT
		V5	Buyer To Apply

### Details

Reg. date	27/07/2018	Colour	WHITE	Gearbox	AUTOMATIC
Year	2018	VIN	YS2R6X20005500993	Axle Combi	6x2
Mileage	700,020 Km Not Warranted	Body Style	Tractor Unit	Steering Combi	Mid-Lift
Fuel Type	Diesel	Cab Type	HIGHLINE CAB	Rear Suspension	Air

\*NON RUNNER - ENGINE & PARTS STRIPPED\* SLIDING 5TH WHEEL, TWIN FUEL TANKS

### Tyres

NSF	NSI1	NSI2	NSI3	NSI4
OSF	OSI1	OSI2	OSI3	OSI4
Spare	NSO1	NSO2	NSO3	NSO4
	OSO1	OSO2	OSO3	OSO4

## Features

- Bluetooth connection
- Air conditioning
- Cruise control
- Front electric windows
- Auxiliary input socket
- Central locking
- Digital radio
- Leather seat trim

## Photos





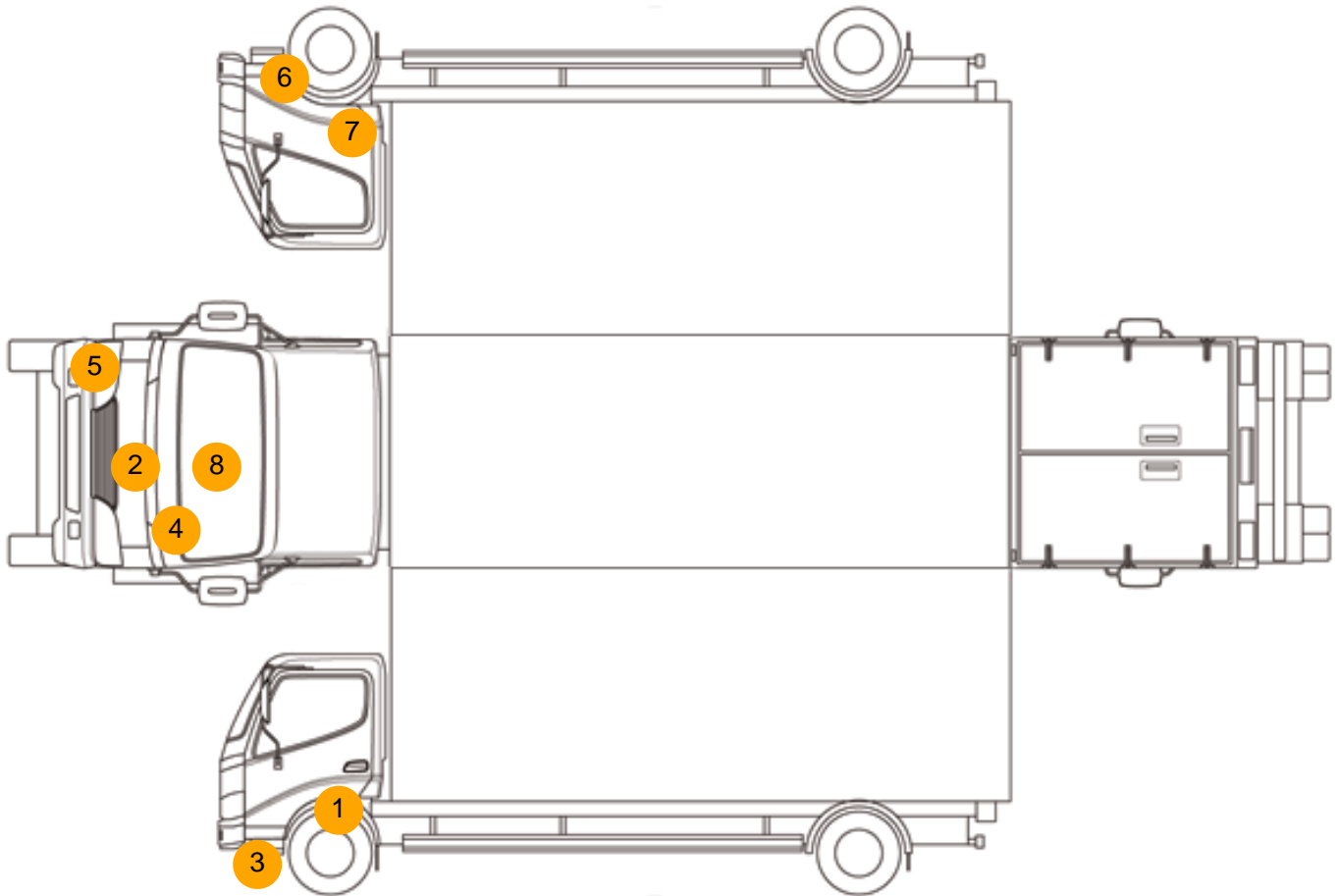
Reg. Idem. Max.	Vehicle Identification No.	Year of Manufacture
SL180AX	YS2R6X20005500993	2018
Type Approval No.		
Manufacturer/Model		
SCANIA R580		
Function (See note 3)	ARTIC R	Year of Original Registration
(1) Description of Weights Applicable to vehicle (See notes 1 & 4)	(2) Weights not to be exceeded in Gt. Britain (See note 5)	(3) EEC Maximum permitted weights (See note 6)
Gross Weight	24000	24000
Train Weight	44000	40000
Max. Train Weight	44000	44000
Axle Weights		
Axle 1	8000	8000
Axle 2	6000	6000
Axle 3	10000	10000

e4*2007/46*1130		CR20H	
YS2R6X20005500993		5500993	
(GB) 24000	24300	Approval	E4-29R-030116
44000	50000	Ch No.	1366386
8000	8000	Ch Colour	5500993
6000	6100	Ch Type	X
10000	10200	Ch Type	R 580 A6x2/4NA
X	X	Produced in	THE NETHERLANDS
X	X		
X	X		





## Condition Check



## Damage Photos



1: Wing nsf  
Missing  
Replace



2: Unclassified  
Major Parts Missing  
Report Only



3: Bumper Front  
Scratched  
Over 25mm Not Thru Paint



4: Fogdriving Lamp nsf  
Broken  
Replace



5: Bumper Front  
Scratched  
Over 100mm Thru Paint



6: Bumper Front Moulding  
Broken  
Replace



7: Wing nsf  
Missing  
Replace



8: Screen Front  
Chipped  
Over 10mm



9: General Interior  
Soiled  
Light

### Interior

**Carpet Condition**  
**Seat Condition**

OK  
OK

**Upholstery Condition**  
**Odour**

Poor  
-

**Engine Runs** **Fault**