



**COMMERCIAL VEHICLE AUCTIONS LTD**  
THE UK'S MOST ESTABLISHED COMMERCIAL VEHICLE AUCTIONEERS

Carr Hill Industrial Estate  
Doncaster  
DN4 8DE

01302 732600 | cva.noreply@cva-auctions.co.uk

# VEHICLE INSPECTION REPORT

**PE17HTX**

## Daf CF 440

### Inspection

Serious Damage? No

### Vehicle

VAT Plus VAT  
V5 Present

### Details

Reg. date	20/03/2017	VIN	XLRTGM4100G151461	Axle Combi	6x2
Year	2017	Body Style	Tractor Unit	Steering Combi	Mid-Lift Steer
Mileage	1,584,397 Km Warranted	MOT Due	31/03/2026	Rear Suspension	Air
Fuel Type	Diesel	Cab Type	SLEEPER CAB		
Colour	RED	Gearbox	AUTOMATIC		

\*COLLECTED AS NON-RUNNER, WATER, AIR CON & REAR DIFFERENTIAL ISSUES\* \*MOT HISTORY INCORRECTLY RECORDED IN MILES/KM\*

### Tyres

NSF	NSI1	NSI2	NSI3	NSI4
OSF	OSI1	OSI2	OSI3	OSI4
Spare	NSO1	NSO2	NSO3	NSO4
	OSO1	OSO2	OSO3	OSO4

## Features

- Cruise control
- Central locking
- Radio/CD
- Cloth seat trim
- Air conditioning
- Front electric windows

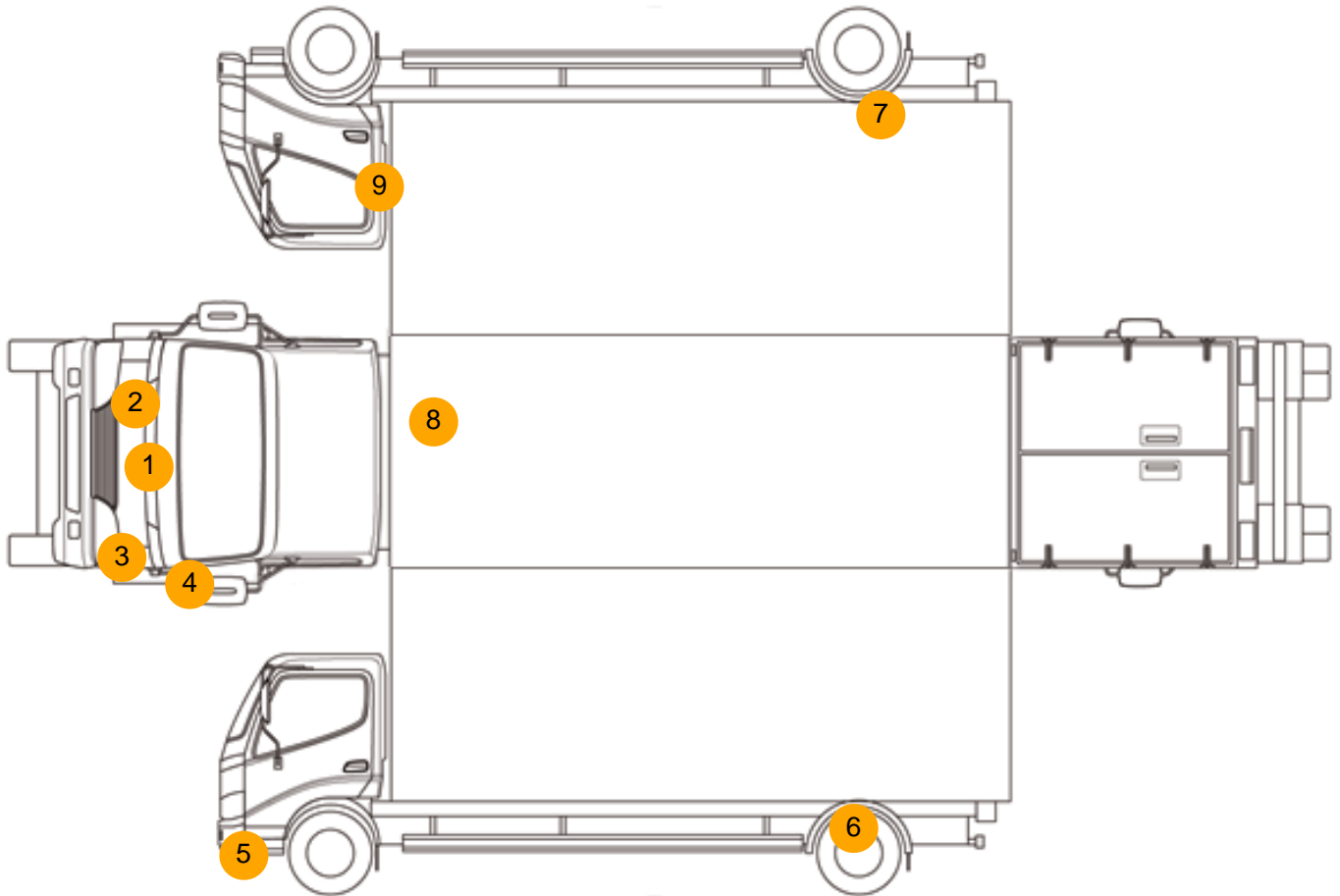
## Photos







## Condition Check



## Damage Photos



1: Bonnet  
Chipped  
Multiple Chips



2: Bumper Front Moulding  
Missing  
Replace



3: Panel Front  
Cracked  
Replace



4: Panel Front  
Poor Previous Repair  
Poor Colour



5: Bumper Front  
Dented  
With Paint Damage



6: Qtr Panel Moulding ns  
Missing  
Replace



7: Qtr Panel Moulding os  
Missing  
Replace



8: Panel Rear  
Dented  
With Paint Damage



9: Door osf  
 Dented  
 With Paint Damage

**Interior**

<b>Carpet Condition</b>	OK	<b>Upholstery Condition</b>	OK
<b>Seat Condition</b>	OK	<b>Odour</b>	-
Engine Runs	OK	No Excessive Smoking	OK
EML light illuminated	OK	DPF light illuminated	OK
ABS light illuminated	OK		