



COMMERCIAL VEHICLE AUCTIONS LTD
THE UK'S MOST ESTABLISHED COMMERCIAL VEHICLE AUCTIONEERS

Carr Hill Industrial Estate
Doncaster
DN4 8DE

01302 732600 | cva.noreply@cva-auctions.co.uk

VEHICLE INSPECTION REPORT

CN69VXM

Mercedes-Benz Sprinter 314 CDI

Inspection		Vehicle	
Serious Damage?	No	VAT	Plus VAT
		V5	To Follow

Details					
Reg. date	24/09/2019	Colour	WHITE	CAP Clean	£8,425.00
Year	2019	VIN	WDB9106332P135149	CAP Average	£7,425.00
Mileage	146,708 Miles Warranted	Body Style	Panel Van MWB	CAP Below	£5,900.00
Fuel Type	Diesel	MOT Due	Expired	Gearbox	MANUAL

AD BLUE, SIDE LOAD DOOR.

Tyres	
NSF	
NSR	
OSF	
OSR	
Spare	

Features

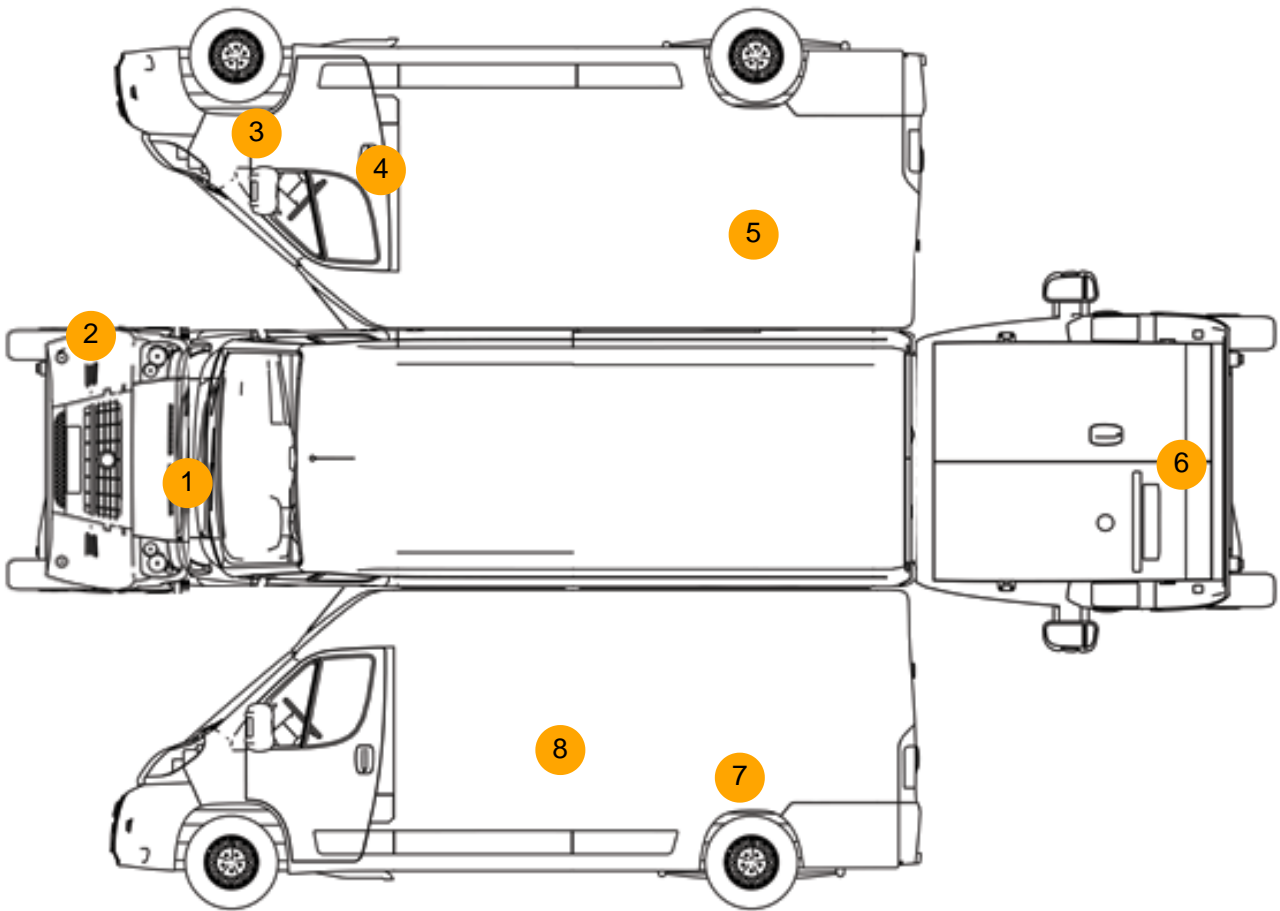
- Radio/CD
- Front electric windows
- Central locking

Photos





Condition Check



Damage Photos



1: Bonnet
Dented
Over 30mm



2: Bumper Front Moulding
Broken
Replace



3: Wing nsf
Dented
With Paint Damage



4: Door osf
Dented
Over 30mm



5: Qtr Panel osr
Dented
With Paint Damage



6: Bumper Rear Moulding
Broken
Replace



7: Qtr Panel nsr
Dented
With Paint Damage



8: Door nsr
Dented
Over 30mm

Interior

Carpet Condition	Average	Upholstery Condition	Average
Seat Condition	Average	Odour	No
Engine Runs	OK	Gearbox 1st and Reverse Test	OK
Brakes	OK	Clutch Slip Test from Static	OK
Turbo Boosting	OK	Gearbox Static Gear Selection (engine running)	OK
Parking Brake	OK	No Excessive Smoking	OK
EML light illuminated	OK	Oil warning light illuminated	OK
Airbag light illuminated	OK	DPF light illuminated	OK
ABS light illuminated	OK	Service indicator light illuminated	OK
Windows	OK	Radio	OK
		Steering	OK