



COMMERCIAL VEHICLE AUCTIONS LTD
THE UK'S MOST ESTABLISHED COMMERCIAL VEHICLE AUCTIONEERS

Carr Hill Industrial Estate
Doncaster
DN4 8DE

01302 732600 | cva.noreply@cva-auctions.co.uk

VEHICLE INSPECTION REPORT

PJ71NKT

Fiat Doblo Work Up II 1.6 MULTIJET 16V

Inspection

Serious Damage? No

Vehicle

VAT Plus VAT
V5 To Follow

Details

Reg. date	30/12/2021	VIN	ZFA26300006V66018	CAP Below	£5,150.00
Year	2021	Body Style	Dropside L2	Gearbox	MANUAL
Mileage	76,385 Miles Warranted	MOT Due	19/02/2026	Gears	5
Fuel Type	Diesel	CAP Clean	£6,725.00		
Colour	WHITE	CAP Average	£6,150.00		

AD-BLUE

Tyres

NSF

NSR

OSF

OSR

Spare

Features

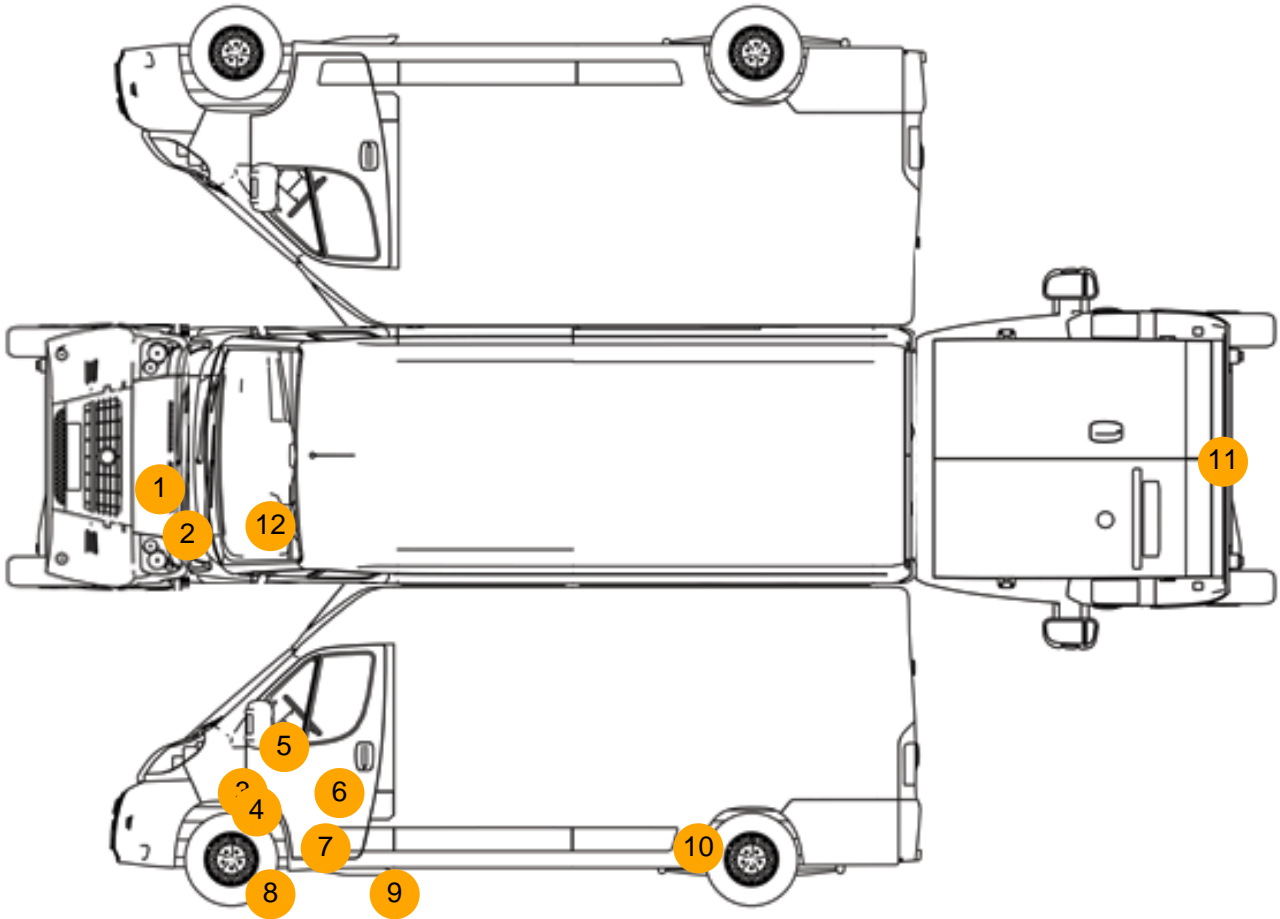
- Park assist camera
- Front electric windows
- Cloth seat trim
- Rear parking sensor
- Drivers airbag
- Digital radio
- Passenger airbag
- Radio/CD
- Central locking

Photos





Condition Check



Damage Photos



1: Bonnet
Scratched
Over 25mm Not Thru Paint



2: Bonnet
Dented
With Paint Damage



3: Wing nsf
Dented
With Paint Damage



4: Wing nsf
Dented
With Paint Damage



5: Door Mirror Assy nsf
Broken
Replace



6: Door nsf
Scratched
Over 25mm Thru Paint



7: Door nsf
Dented
With Paint Damage



8: Wheel nsf
Dented
Over 30mm (Steel)



9: Sill ns
Dented
Over 30% Of Panel



10: Qtr Panel nsr
Scratched
Over 25mm Thru Paint



11: Bumper Rear
Dented
With Paint Damage



12: Screen Front
Scratched
Over 30mm



13: Door Pad osf
Broken
Replace



14: Carpets Front
Holed
Over 3mm



15: Fascia Panel
Missing
Replace



16: Seat Base Cover osf
Soiled
Heavy



17: Seat Back Cover osf
Torn
Over 3mm

Interior

Carpet Condition	Poor	Upholstery Condition	Poor
Seat Condition	Poor	Odour	No
Engine Runs	OK	No Excessive Smoking	OK
EML light illuminated	OK	DPF light illuminated	OK
ABS light illuminated	OK		